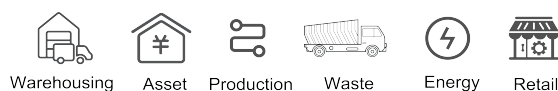




JT-9380



UHF RFID Middle Range Integrated Reader

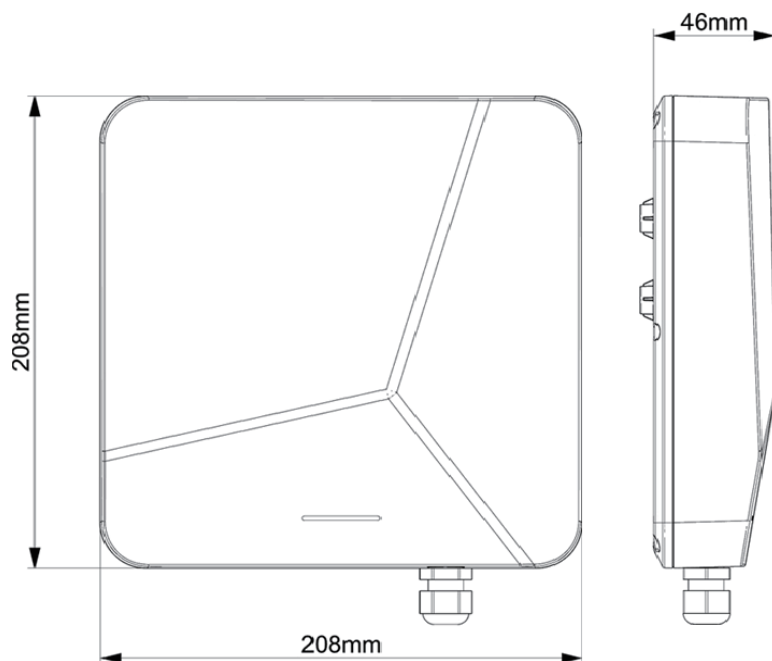
JT-9380 is a high-performance single-channel integrated RFID reader. Using self-developed high-performance RFID modules based on TM series or Impinj E710 chips, and working together with integrated awesome 8dBi circular polarized antenna. The reader supports RS232, RJ45, WiFi communication interfaces. The whole series of products have a unified protocol and SDK. You only need to develop our products once to connect with all our RFID readers. JT-9380 is applicable widely in warehousing, archives management, library management, banking, production line management and other fields.

- **Support RS232, RJ45, WiFi remote online firmware upgrade**
- **Optional support for MQTT protocol**

SPECIFICATIONS

RFID PARAMETER	
Frequency	US:902-928 MHz
Protocol	ISO18000-6C/EPC C1 Gen2
Chip	TM serial(standard) Impinj E710 chip(optional)
Reading rate	>700 times/sec >900 times/sec
RF power	13~33dBm(adjustable) 0-33dBm(adjustable)
Antenna	8dBi circularly polarized antenna (built-in)
RSSI	Supported
Consumption	Average power consumption<9W
Reading range	0~8m (relate to tag and environment)
GPIO	2 trigger input or 2 relay outputs (customized)
Notification	LED indicator,buzzer
Baud rate	115200 bps (default)
Operate voltage	10-60V
Operate current	0.65A@30dBm,25° C 1.3A@30dBm,25° C
Power adapter	DC 12V/3A
Industrial lightning protection	6000V high voltage lightning protection
SDK	Demo&C++,C#,JAVA,Android SDK
USE ENVIRONMENT	
Operating Temp.	-40° C~+75° C
Storage Temp.	-45° C~+80° C
Humidity	5-90% non-condensing (+25° C)
PHYSICAL PARAMETERS	
Shell material	ABS & aluminum alloy
Dimensions	208(L)*208(W)*46(H)mm
Net weight	660g
Pack size	42*26*10cm
Gross weight	1.65kg
MODEL TYPE	
JT-9380B	RS232,TCP/IP(PoE optional)
JT-9380W	RS232,TCP/IP,WiFi

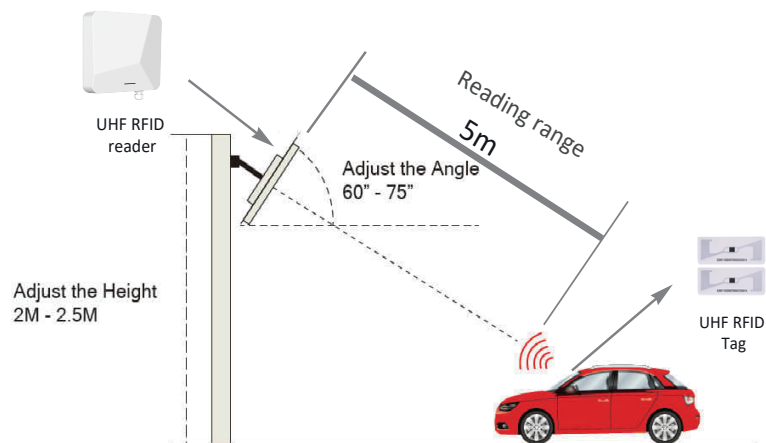
DIMENSIONS



APPLICATION



Waste Management



Vehicle Management

Shenzhen Jietong Technology Co.,Ltd

Address : 12/F,Building A, No. 6,Shiben Road,Shiyan Street,Bao'an District,Shenzhen,Guangdong,China 518108

Email : marketing@jtspeedwork.com

Website : www.jtspeedwork.com